

# 3 EL 4

## 4 m amateur band

Three-element 7 dB directional antenna including a balun consisting of high-quality coaxial cable for the highest performance of band-width and matching.

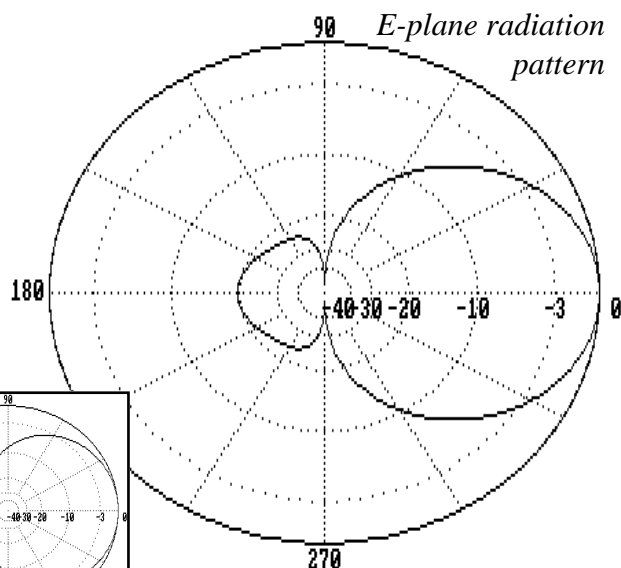
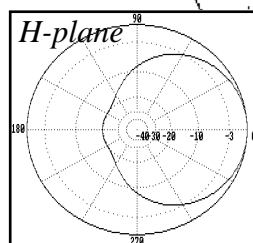
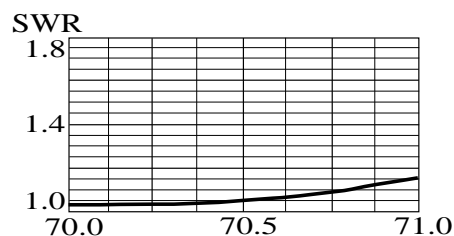
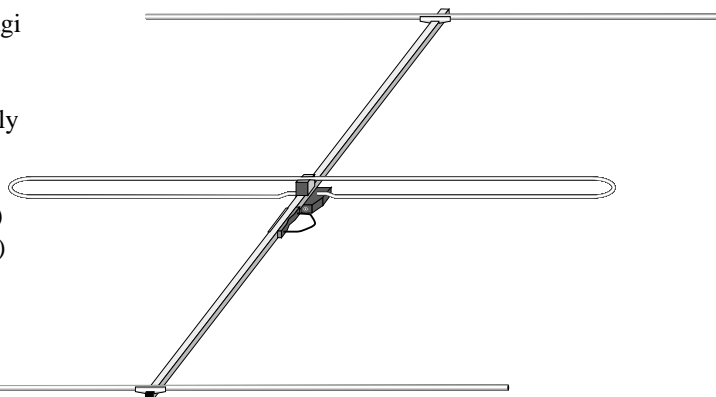
Connection of the feeding cable is made inside a special water proof connection box of poly-propylene plastic. All inside connections are made resistant against humidity and the connection box has a drain for condensed water. To avoid losses and residual water, no coaxial connectors are used.

All screws, washers and nuts as well as the element-to-boom attachments are made in high quality non-corrosive steel. All aluminium parts are of highest quality and resistant against salt-water. All metal parts are DC-grounded.

For increased gain this antenna can be stacked and fed in phase using a corresponding stacking kit.

The antenna is supplied with boom clamp and is designed to be mounted for horizontal polarisation.

<i>Model name</i>	3EL70
<i>Type of antenna</i>	3 element Yagi
<i>Frequency</i>	70-71 MHz
<i>Impedance</i>	unbal. 50 $\Omega$
<i>Polarisation</i>	horizontal only
<i>Gain</i>	7dBd
<i>Front to back ratio</i>	20 dB
<i>Half power</i>	60° (E-plane)
<i>Beam width</i>	90° (H-plane)
<i>Band width</i>	1,0 MHz
<i>SWR</i>	< 1:1,3
<i>Maximum power</i>	legal power
<i>Connection type</i>	inside box (no coaxial connector)
<i>Boom type</i>	sq. profile 18x24 mm
<i>Boom length</i>	1,6 m
<i>Wind load</i>	174 N (at 150km/h)
<i>Area</i>	0,13 sq. m
<i>Weight</i>	1,6 kg
<i>Antenna to mast mount type</i>	centered on boom
<i>Mast diameter</i>	38-65 mm



Radiation patterns are  
calculated by computer

Made in Sweden by

**Vårgårda  
Radio AB**

POBox 27, SE-447 21 Vårgårda.

Tel: +46 322 620500 Fax: +46 322 620910